

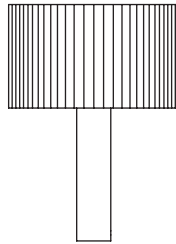
## Moragas

Antoni de Moragas

1957

Table lamp

NUEVO ESTILO Award 1992



This is a table lamp with a serene exterior, the beacon of a modernity that captures the pragmatic temperament of a great Spanish pioneer. A central solid wooden column supports a generous circular shade made of bookbinding tape, whose asymmetry produces relaxing chiaroscuros.

### GENERAL DESCRIPTION

Sapele wood leg.

Natural cotton ribbon lampshade with silk border.

Electric cable length: 4 m / 157.4"

### LIGHT SOURCE

Recommended light sources:

LED bulb: 8 W

Compact fluorescent: 7 W

Incandescent: Max. 40 W

E14 - E12 (Max. hgt. 85 mm / 3.3")

Light source not included.

Dimmer included.

Compatible with bulbs of the Energy efficiency class (E.E.C): A++... E.

Lamp suitable only for indoor use.

Always use this light source recommended or equivalent.

Input voltage: 100, 120, 230 VAC (50Hz / 60 Hz). According to destination.

### APPROXIMATE WEIGHT (without package)

4,4 Kg / 9.7 lb.

## REGULATIONS

CE

☐

IP 20

UNE-EN 60598

UNE-EN 55015

UNE-EN 60529



Non-class 2

Dry location only

UL-153

E-352592

## MAINTENANCE

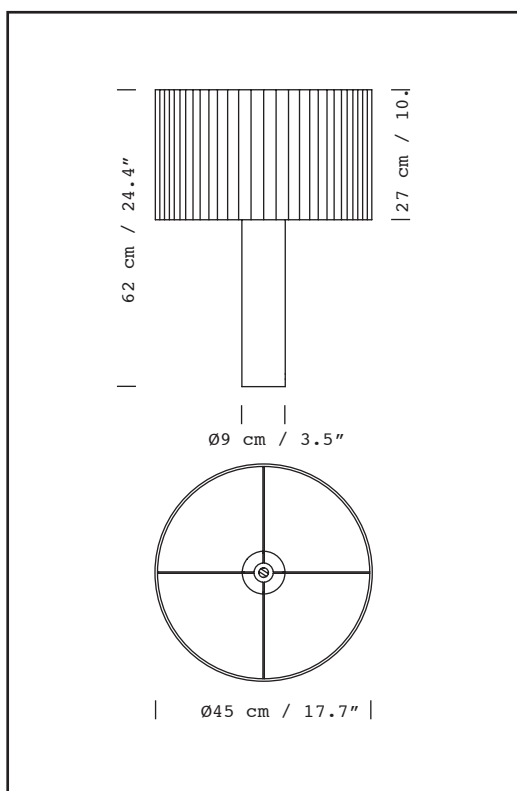
Clean with a smooth cloth. It is advised not to use any ammonia, solvent or abrasive products.

## OTHERS

The lamp is delivered in different packages.

The assembly instructions are delivered with the product.

## MODEL



## Collection

### Furniture



Moragas