

Say My Name



Say My Name pendant smoked grey glossy
– Item no. 660



Say My Name pendant smoked grey matt
– Item no. 661



Say My Name table smoked grey glossy
– Item no. 662



Say My Name table smoked grey matt
– Item no. 663

Design: Morten & Jonas

Year: 2015

Types: Pendant and table lamp

Shade material: Mouth blown glass

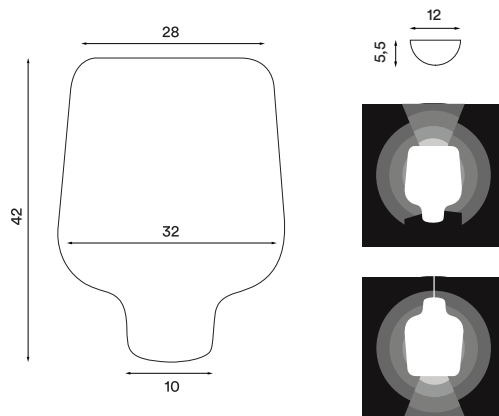
Shade colour: Smoked grey glossy or matt

Base material: Steel **Wire:** Black rubber,
300 cm (pendant) 200 cm (table) **Bulb:** E27,

Max. 60 W **Voltage:** 220V - 240V - 50Hz

Net weight: 5.7 kg (pendant and table)

Dimensions and light direction



Recommended bulb

