

PRODUCT SHEET

bullarum
ST-3



PRODUCT SHEET

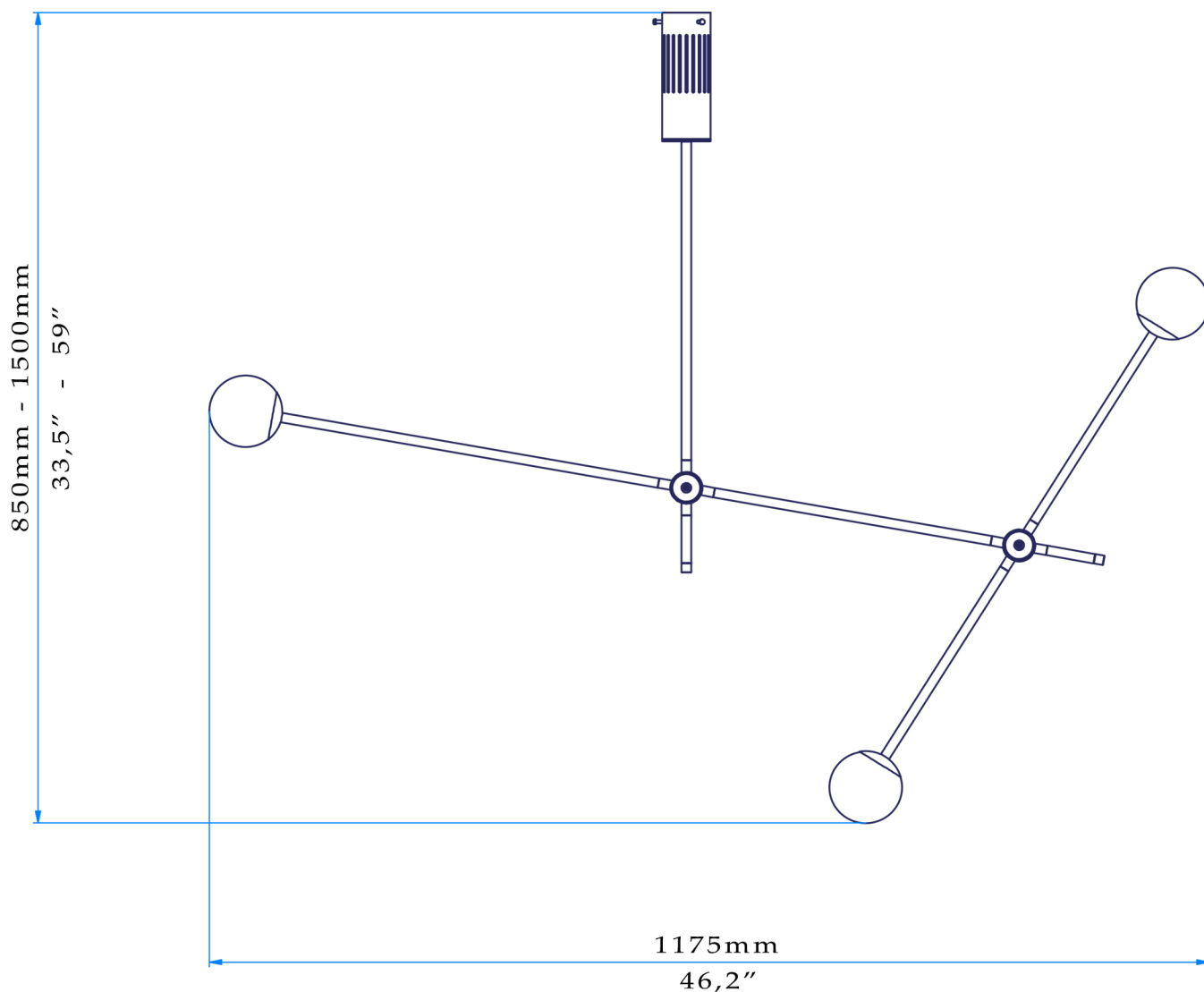
bullarum ST-3



BULB	3 x G5.3 12v max 35w/bulb (120v or 240v)
MATERIALS	Brass or copper body, hand-blown glass.
DIMENSION	1175mm x 90mm x 850mm-1500mm 46,2" x 3,5" x 33,5"-59"
WEIGHT	7000g / 15,43 lbs
PACKAGING	Wooden Box 360 x 145 x 1350 mm 14,2" x 5,7" x 53,15"
ORIGIN	Hungary (hand made)
CERTIFICATION	CE certification of european conformity

PRODUCT SHEET

bullarum ST-3

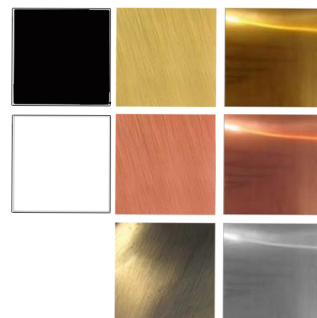


FINISHES

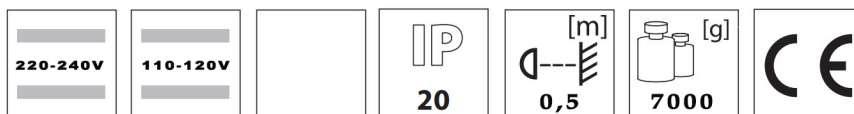
The basic finishes:

Brushed brass body, brushed copper collar, or
brushed copper body, brusher brass collar.

(order options the all finishes, and RAL colors)



INTUERI LIGHT
Szolnoki way 1.
Alippa industrial park
6000 Kecskemét
Hungary
+36-30-639-5001
info@intuerilight.com



CE certification of european conformity