

---

# Lazy '05

CHAIRS

Patricia Urquiola



## Description

Their name recalls relaxation, laziness and rest. The principle they have in common is the bright chromed steel frame with easy to remove covers with a zipper or Velcro fastening. With high backrest for a rigorous position, lower with backrest/armrest or in the stool version, it offers the possibility of combining different fabric tones above and under the seat, with a two-colour effect.

---

## Technical information

### Seat:

thermoplastic material shell, shaped polyurethane, polyester fibre cover

### Chair back:

elastic mesh, polyester fibre cover

### Small armchair back:

thermoplastic material shell, polyester fibre cover

### Support frame:

bright chromed drawn steel

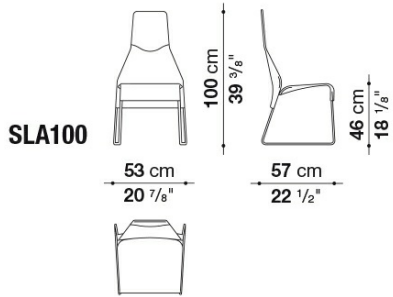
### Ferrules:

thermoplastic material

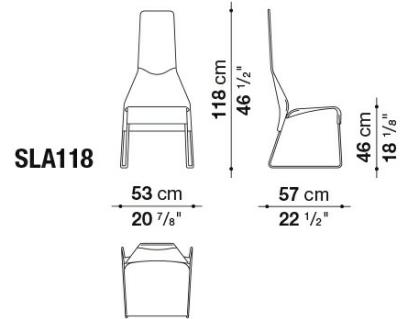
### Cover:

fabric or leather

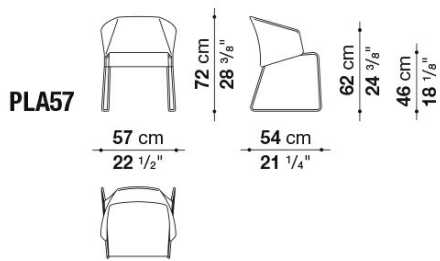
# Technical drawings



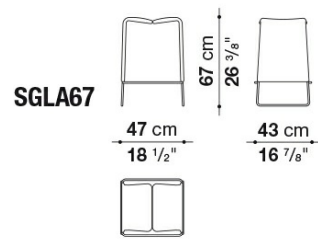
SLA100



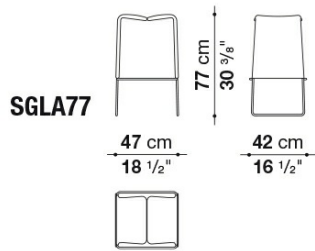
SLA118



PLA57



SGLA67



**SGLA77**

B&B Italia reserves the right to make technological and aesthetic improvements to its models, including changes to the sizes and materials, without notice. The technical drawings do not define the details of the product. The measurements shown are indicative and may undergo changes. In particular, the dimensions relevant to the padded parts are subject to usage tolerances over time caused by the normal adjustment of the padding. For the specific information, please contact the dealer closest to you.