

## GT Lounge Chair

Designed by Greta M. Grossman

GG COLLECTION

### PRODUCT



### VIEWS



### DESCRIPTION

The GT Lounge Chair was designed by Greta M. Grossman in 1949 and with its sleek and feminine lines, it beautifully expresses the influence that Scandinavian design had on her. Designed for comfort as well as aesthetics, her timeless lounge chair has a feminine and light silhouette that is supported with elegant slender legs, which is a true signature for Greta M. Grossman's designs. The GT Lounge Chair, which she showcased at her prestigious Los Angeles store on Rodeo Drive with which she used to decorate many of the homes she designed, was like most of her furniture custom built or produced in exceptionally small numbers.

### MATERIALS

The Lounge chair is constructed with a frame of solid pinewood, plywood and precovered chipboard.

Foam characteristics for seat: VB3842 – 80 mm seat  
Foam characteristics for back: HR3737 – 100; 20; 10 mm  
Backside of back: VB3842 – 5 mm back

Frame Ø14 mm steel rod // Black - powder coated RAL 9005 / gloss 20-30

### VERSIONS

The chair is available in a wide range of fabrics.

Order item - look for item number in the pricelist.

The series consists of the following:

### MEASUREMENT

Length: 80 cm  
Width: 70 cm  
Height: 70 cm  
Seat height: 34 cm  
Seat depth: 61 cm

### WEIGHT ITEM

12,6kg

### PACKAGING TYPE

Cardboard and plastic cover

### PACKAGING MEASUREMENT - L x W x H CM

85 x 75 x 75 cm

### WEIGHT PACKAGING

15kg

### NUMBER OF PARCELS

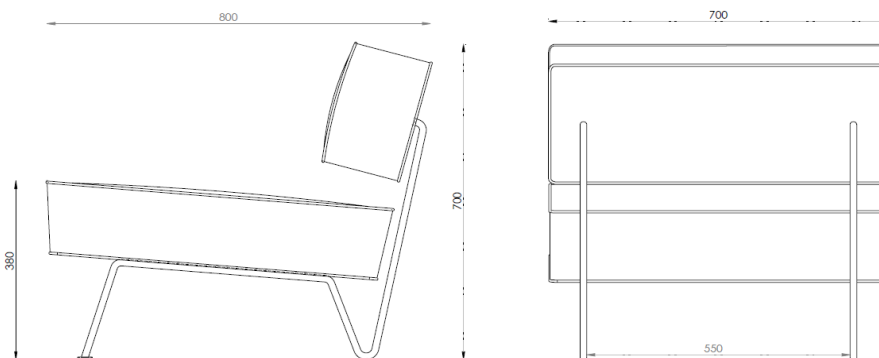
1 pcs.

### FABRIC CONSUMPTION

2,32 meter

### LEATHER CONSUMPTION

5.15 meter



**GT Lounge Chair**

GG COLLECTION

Designed by Greta M. Grossman

## ACCESSORIES

CLEANING AND MAINTENANCE

---

For cleaning the upholstered surface, first try to brush off the dirt gently. If this is not enough then vacuum the surface. If further cleaning of the padding is needed, a stain remover is recommended. The cleaning has to be gentle and must always be tested on the most invisible area of the surface before the actual cleaning. Avoid blotches by gentle, circular rubbing towards the stain. To avoid stains, quickly remove the dirt with a piece of absorbing household wipe and clean with water and colourless washing-up liquid. Do not use the following products for the padding:

- Undiluted cleaning liquids.
- Bleach.
- Ammoniac.
- Soap for hard surfaces.

For further cleaning guidance, we refer to information regarding the specific textile.

ENVIRONMENT

---

Parts can be separated and sorted for recycling.

TESTS

---

-

CERTIFICATION AND LABELS

---

-