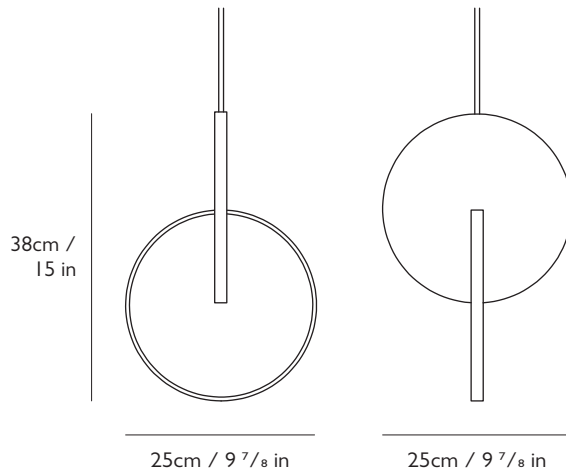


LEE BROOM

ECLIPSE PENDANT LIGHT



PLEASE NOTE

Please allow for 10.9cm x 4cm x 2.2cm
(4 1/4 in x 1 5/8 in x 7/8 in) in ceiling cavity to fit transformer.

PRODUCT DETAILS

Name
Eclipse Pendant Light

Finish & Product Code
Polished Chrome ● ECL0110 110-130v 220-240v ECL0010

Materials
Opal acrylic, steel

Illumination 110-130v
10w, 2700k, 466 lumen, 110-130vAC Input / 24vDC Output.
Supplied with separate transformer

Illumination 220-240v
10w, 2700k, 466 lumen, 220-240vAC Input / 24vDC Output.
Supplied with separate transformer

Dimming
Dimmable. TRIAC / Leading edge / Trailing edge

Certification
UL, cUL (110-130v)
CE, CB (220-240v)



Year of Design
2018

Dimensions
H 38cm x W 25cm x D 25cm / H 15 in x W 9 7/8 in x D 9 7/8 in

Suspension
Length: 300cm / 118 1/8 in
Adjustable cord and steel cable
Transparent casing

Ceiling plate / Canopy
H 3cm x Dia 12cm / H 1 1/8 in x Dia 4 3/4 in
Round steel in polished chrome finish

Weight
Product (net): 2.96 kg / 6.5 lbs
Boxed (gross): 4.07 kg / 8.97 lbs

0718rev03

For more information please contact:

US & Canada Inquiries: +1 212 804 8477 - 34 Greene Street, New York, NY 10013 - sales@leebroom.com

UK & Global Inquiries: +44 207 820 0742 - 95 Rivington Street, London, EC2A 3AY - info@leebroom.com

WWW.LEEBROOM.COM

