

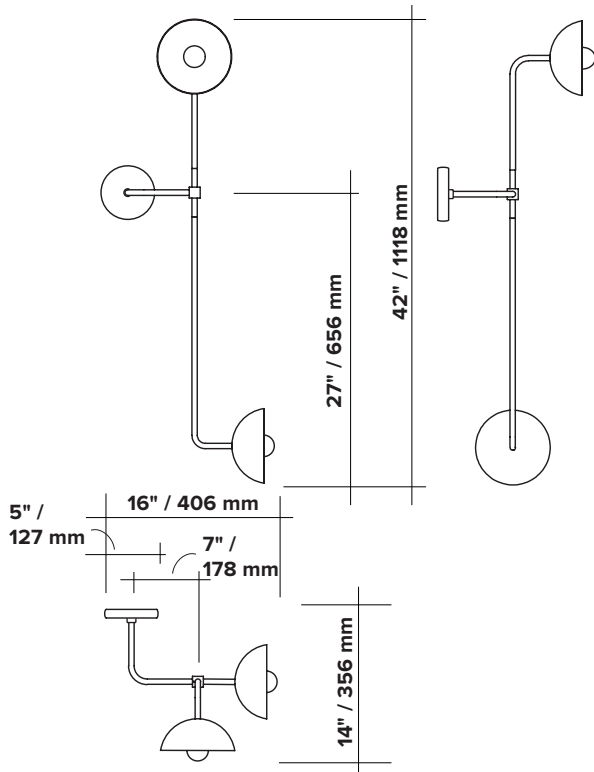


**BEAUBIEN DOUBLE SHADE**

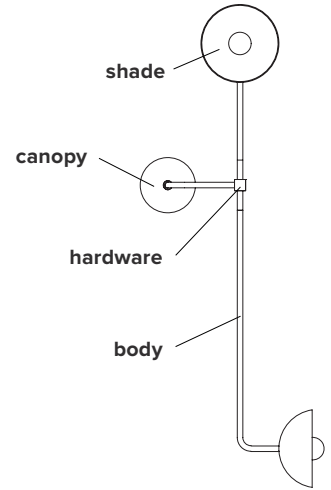


|                       |  |                                  |
|-----------------------|--|----------------------------------|
| <b>type</b>           | wall   |                                  |
| <b>materials</b>      | shade :  | powdercoated aluminium           |
|                       | body :   | powdercoated steel and aluminium |
| <b>weight</b>         | hardware :   | brass                            |
|                       | sphere :   | milk glass (G50)                 |
|                       | canopy:  | powdercoated steel               |
| <b>weight</b>         | 3.0 lb / 1.4 kg  |                                  |
| <b>light bulb</b>     | LED (included), 2 x 3,5W   |                                  |
| <b>sockets</b>        | G9   |                                  |
| <b>voltage</b>        | 120V / 240V  |                                  |
| <b>dimmer</b>         | refer to our recommended list of dimmer models   |                                  |
| <b>certifications</b> |    |                                  |
| <b>notes</b>          | <ul style="list-style-type: none"> <li>- must be installed by an electrician;</li> <li>- requires a wall electric box;</li> <li>- lead time between 8-9 weeks</li> <li>- dimensions are approximate and may vary slightly</li> </ul> |                                  |

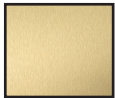


## ORDER GUIDE: SKU

| COLLECTION   | MODEL | FINISH (body + hardware)  | INSTALLATION                              |
|--------------|-------|---|---|
| BEA beaubien | 04    | <b>BLBR</b> black body<br>brass hardware<br><br><b>BLGR</b> black body<br>graphite hardware | <b>A</b> standard<br><br><b>B</b> reverse |
| BEA          | 04    | BLBR  | A = <b>BEA04BLBRA</b><br>example          |



### FINISH



brass

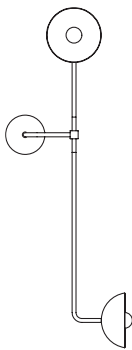


flat black

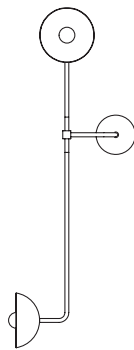


graphite

### INSTALLATION



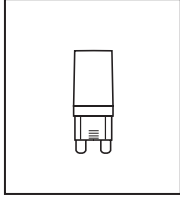
A - standard



B - reverse

## LIGHT BULB & DIMMER SPECIFICATIONS

### G9 SOCKETS



Frosted  
3.5W  
100V-120V / 240V  
350 Lumens  
2700 K  
25 000 H  
CRI ≥80  
2 years warranty

### SPHERES



G50  $\varnothing \pm 2" / 50 \text{ mm}$



### DIMMER LIST COMPATIBILITY FOR G9 LED BULBS – 120V

The dimming technology offering the best results is ELV (electronic low voltage) dimmers with reverse phase or trailing edge control.

| <u>DIMMER BRAND</u> | <u>MODEL NUMBER</u> | <u>MAX LEVEL</u> | <u>MIN LEVEL</u> | <u>FLICKERING</u> | <u>OVERALL QUOTE</u> |
|---------------------|---------------------|------------------|------------------|-------------------|----------------------|
| LUTRON - MAESTRO    | MAELV-600           | 100%             | 0%               | 0%-10%            | good                 |
| LUTRON - SKYLARK    | SELV-300P           | 100%             | 0%               | no                | very good            |
| LUTRON - SKYLARK    | SELV-303P           | 100%             | 0%               | no                | very good            |
| LUTRON - SKYLARK    | CTELV-303P          | 100%             | 0%               | no                | very good            |
| LUTRON - DIVA       | DVELV-300P          | 100%             | 0%               | no                | very good            |
| LEGRAND - ADORNE    | TRUE UNIVERSAL      | 100%             | 30%              | no                | good                 |

### DIMMER LIST COMPATIBILITY FOR G9 LED BULBS – 230V

| <u>DIMMER BRAND</u> | <u>MODEL NUMBER</u> | <u>MAX LEVEL</u> | <u>MIN LEVEL</u> | <u>FLICKERING</u> | <u>OVERALL QUOTE</u> |
|---------------------|---------------------|------------------|------------------|-------------------|----------------------|
| VARILIGHT           | V-PRO               | 100%             | 2%               | no                | very good            |
| LEGRAND - NILOÉ     | 3 996 35            | 87%              | 15%              | no                | good                 |
| NIKO                | 310-0280X           | 94%              | 5%               | no                | very good            |
| NIKO                | 310-0190X           | 100%             | 1%               | no                | very good            |

\*Other dimmers can yield good results and we recommend conducting your own test before final installation.