

ELLISSE PENDANT DOUBLE MEGA

Federico Palazzari

Collection of LED suspension lamps in extruded aluminum made in different versions: minor, major, double and the new "oversize" triple, mega and double mega versions, for direct or indirect diffused light. Available in different finishes, matt painted in white, black and gold, natural polished and glossy gold anodized. Opal diffuser. Ellisse is realized through a proprietary technology of coupling of the extrusions. The model "Major" is also available floor and wall versions.



2700K

LAMPING

Source	Linear LED
Total power	90W
Emission	uplight and downlight
Switching	dimnable 1-10V
Tension	110/240V
Color temperature	2700K
Luminous flux	2825+1850lm (real luminous output)
Typ cri	85
Energy class	A+
Notes	cable length 2,5m, adjustable cable length minimum 0,4m

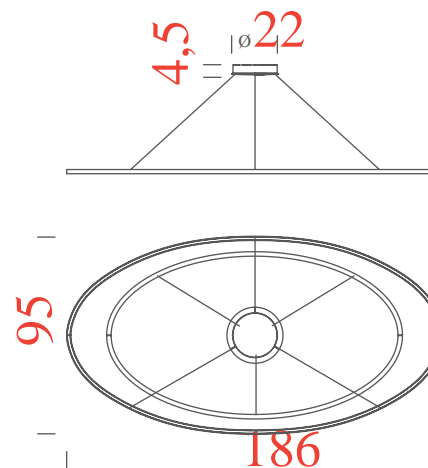
Codes

ELP LW2 5A
ELP LN2 5A
ELP LO2 5A

Structure

white
black
gold painted

Certificazioni



3000K

LAMPING

Source	Linear LED
Total power	90W
Emission	uplight and downlight
Switching	dimmable 1-10V
Tension	110/240V
Color temperature	3000K
Luminous flux	2825+1850lm (real luminous output)
Typ cri	85
Energy class	A+
Notes	cable length 2,5m, adjustable cable length minimum 0,4m

Codes

ELP LWW 5A
ELP LNW 5A
ELP LOW 5A

Structure

white
black
gold painted

Certificazioni

